

# Polymer Lightning Arrester with Lead Wire

PZ□R series

## ▶ HIGH RELIABILITY

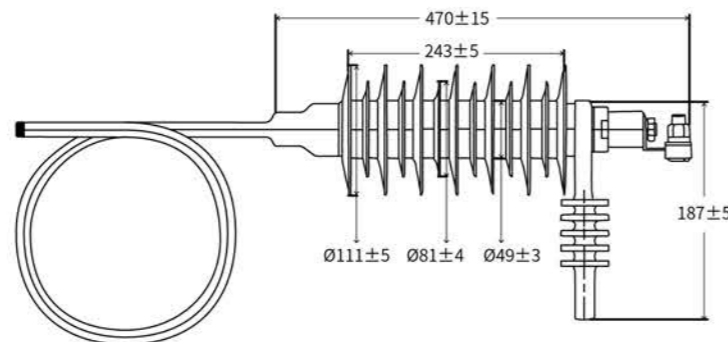
- Perfect prevention of humidity by injection molding
- Optimal structure and excellent durability
- Excellent shock resistance
- Miniaturization and weight lightening



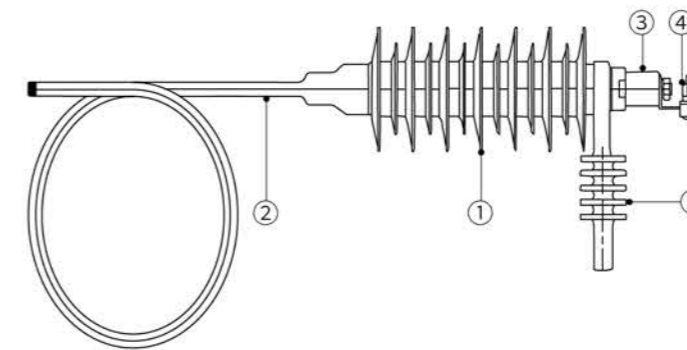
## ▶ FEATURE



## ▶ DIMENSION



## ▶ STRUCTURE



- ① Sheds / Housing
- ② Lead wire
- ③ Disconnecting switch
- ④ Bolt / Nut
- ⑤ Insulation hanger

## ▶ SPECIFICATIONS

Rated voltage (kV)	18
Rated normal frequency (Hz)	50 / 60
Rated lightning impulse withstand voltage (kV)	75
Rated power-frequency withstand voltage (kV)	27
Rated discharge current (kA)	5
Rated residual voltage (kV), (8/20μs crest)	59